

BnT81 系列防爆泛光灯(nR)

BnT81 Series Explosion-proof Floodlight

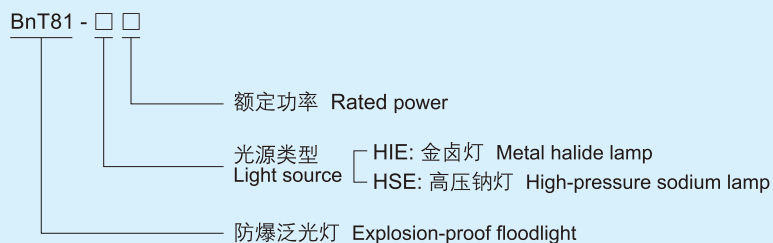


2

应用场所 Application

- ◆ 广泛应用于海洋工程各类作业平台、各类化学品、天然气运输船、危险品码头等危险区域作远距离泛光照明之用；
- ◆ 可在潮湿、振动、腐蚀等恶劣环境中可靠工作；
- ◆ 适用于爆炸性危险环境2区、21区、22区等场所。
- ◆ Widely used for floodlighting on platforms, various types of chemical and natural gas carriers, terminals, dangerous goods docks, etc.
- ◆ Can reliably work in severe environment where is easily affected by moisture, vibration, or corrosion;
- ◆ Explosive hazardous atmosphere zone 2, zone 21, zone 22.

型号含义 Catalogue Number Logic



Zones 2 ; 21&22

产品特性 Features

- ◆ 海工专用铝合金压铸壳体，表面高压静电喷塑；
- ◆ 抗高能量冲击的钢化玻璃；
- ◆ 不锈钢外露紧固件；
- ◆ 桔纹漫反射板，照射角度大，光源利用率高；
- ◆ 高性能电感镇流器， $\cos \phi \geq 0.90$ 。
- ◆ Enclosure is of maritime special aluminum alloy, powder coated surface;
- ◆ Toughened glass, anti-impact;
- ◆ Adjustable lamp holder, ensures the best light distribution effect;
- ◆ Stainless steel exposed fastener;
- ◆ Orange-peel reflection board, wide lighting range, high utilization of light source;
- ◆ Inductive ballast of high performance, $\cos \phi \geq 0.90$.



独特设计的角度调节机构，可根据用户需求调节照射角度

Specially designed angle adjusting mechanism, the lighting angle can be adjusted based on user requirements

技术参数 Technical parameters

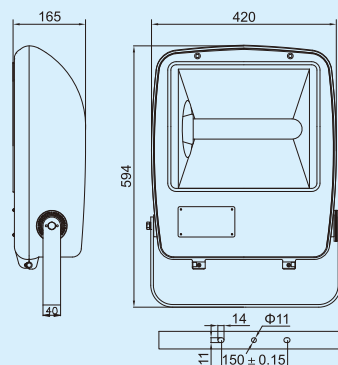
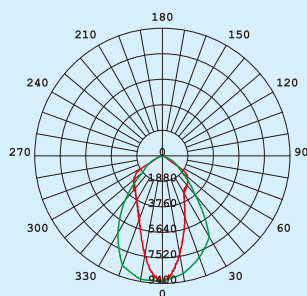
◆ 防爆标志 Ex-Mark	Ex II 3 G Ex nR IIC T3 or 190°C Gc Ex II 3 D Ex t IIIIC T190°C Db IP65
◆ 执行标准 Compliance	IEC60079 EN60079 CCS入级规范 (CCS standard)
◆ 产品证书 Certificate	LCIE 12 ATEX 1012X; LCIE 12 ATEX 3052X; IECEx CQM 12.0011X; GOST.R
◆ 额定电压 Rated voltage	220V~240V AC 50Hz
◆ 温度范围 Temperature range	-60°C~+55°C
◆ 额定功率 Rated power	
光源类型 Light source	金卤灯(HIE) Metal halide lamp
灯具功率 Power of lamp	250W 400W
	高压钠灯(HSE) High-pressure sodium lamp
	150W 250W 400W
◆ 灯座 Lamp holder	E40
◆ 防护等级 Degree of protection	IP66 *IP67
◆ 防腐等级 Corrosion-proof	WF2
◆ 进线规格 Cable entry	2×M25×1.5
◆ 接线端子 Terminal	3×1.5~2.5mm ²

配光性能 Photometric data

外形尺寸 Outline dimension

cd/1000lm

— c 0 / 180
— c 90 / 270



选配表 Selection table

型号 Model	额定功率(W) Rated power	重量(kg) Weight	型号 Model	额定功率(W) Rated power	重量(kg) Weight
BnT81-HIE 250	250	10.7	BnT81-HSE 150	150	10.7
BnT81-HIE 400	400	12.2	BnT81-HSE 250	250	12.5
			BnT81-HSE 400	400	12.8

- ◆ 如需其他安装方式，订货时请注明；
- ◆ 本灯具出厂时不配光源，由用户自配，建议配置飞利浦、欧司朗、亚明品牌，金卤灯250W、400W需配置欧标光源；
- ◆ 灯具出厂时配防爆堵头，若用户需要防爆电缆夹紧密接头，请参照P3/169~172页选型。
- ◆ If other mounting types required, please specify when ordering;
- ◆ The light source will be supplied by user, Philips, Osram, Yamin brand are recommended; metal halide lamp 250W, 400W are only suitable for light source compliance with European standard;
- ◆ The light fitting is supplied with Ex plug, if Ex cable gland is needed, please select according page P3/169~172.

BAT81 系列防爆泛光灯(nR)

BAT81 Series Explosion-proof Floodlight

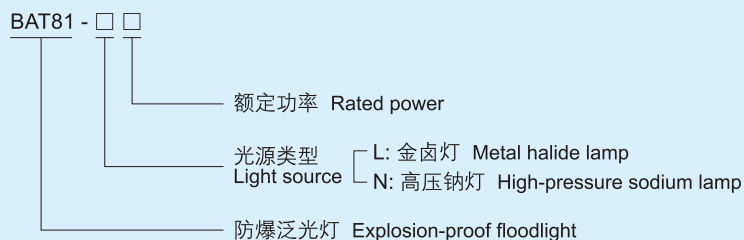


2

应用场所 Application

- ◆ 广泛应用于海洋工程各类作业平台、各类化学品、天然气运输船、危险品码头等危险区域作远距离泛光照明之用；
- ◆ 可在潮湿、振动、腐蚀等恶劣环境中可靠工作；
- ◆ 适用于爆炸性危险环境2区、20区、21区、22区等场所。
- ◆ Widely used for floodlighting on platforms, various types of chemical and natural gas carriers, terminals, dangerous goods docks, etc.;
- ◆ Can reliably work in severe environment where is easily affected by moisture, vibration, or corrosion;
- ◆ Explosive hazardous atmosphere zone 2, zone 20, zone 21, zone 22.

型号含义 Catalogue Number Logic



产品特性 Features

- ◆ 不锈钢壳体，具有较强的防腐性能；
- ◆ 抗高能量冲击的钢化玻璃；
- ◆ 独特的防震设计，有效的保护光源；
- ◆ 高性能电感镇流器， $\cos \phi \geq 0.90$ ；
- ◆ 400W为一体式；1000W为分体式，需另配防爆镇流器；
- ◆ 采用搭扣方式紧固，便于检修；
- ◆ 灯具在仰角 $45^\circ \sim 90^\circ$ 可调。
- ◆ Stainless steel enclosure, with strong corrosion protection performance;
- ◆ Toughened glass, anti-impact;
- ◆ Inductive ballast of high performance;
- ◆ Anti-shock structure can protect the light source;
- ◆ 400W lamp is integrated type, 1000W is split type, they must be used with Ex ballast;
- ◆ Hasp is applied to fasten. easy for overhaul;
- ◆ The lamp angle can be adjusted within the range of $45^\circ \sim 90^\circ$.

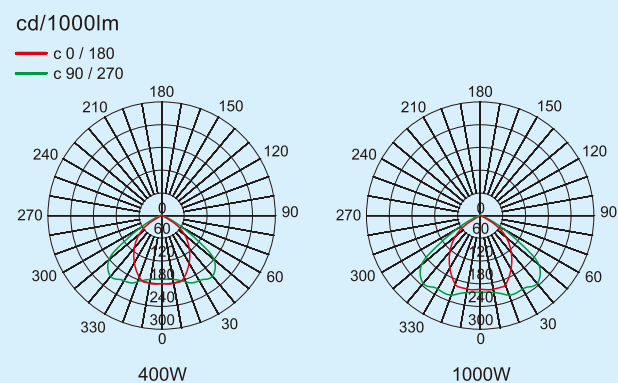
Zones 2 ; 20&21&22

技术参数 Technical parameters

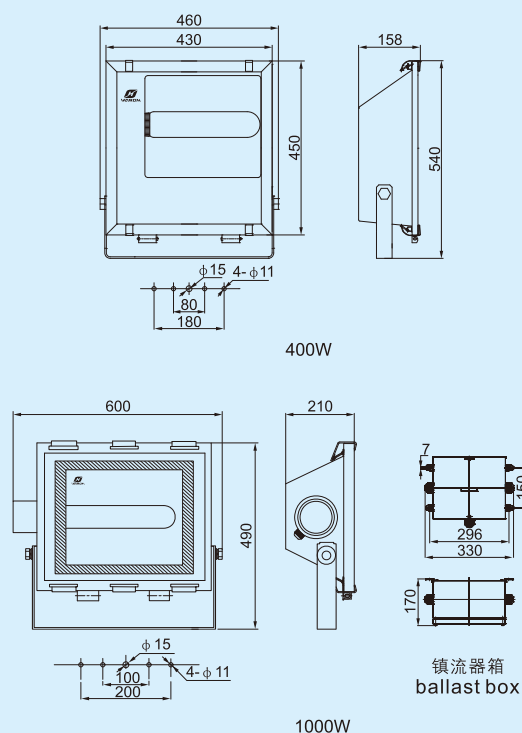
- ◆ 防爆标志 Ex-Mark
- ◆ 执行标准 Compliance
- ◆ 额定电压 Rated voltage
- ◆ 温度范围 Temperature range
- ◆ 额定功率 Rated power
光源类型 Light source
灯具功率 Power of lamp
- ◆ 灯座 Lamp holder
- ◆ 防护等级 Degree of protection
- ◆ 防腐等级 Corrosion-proof
- ◆ 进线规格 Cable entry
- ◆ 接线端子 Terminal

ExnRIIT3Gc/DIPA20TA,T3	ExnRIIT2Gc/DIPA20TA,T2
IEC60079 EN60079 CCS入级规范 (CCS standard)	
220V / 230V AC 50Hz(60Hz请注明 please note)	
-25℃~+55℃	
金卤灯(L) Metal halide lamp 高压钠灯(N) High-pressure sodium lamp	
150W 250W 400W	1000W
E40	
IP66	
WF2	
2×M25×1.5	
3×1.5~4mm ²	

配光性能 Photometric data



外形及安装尺寸 Outline dimension



选配表 Selection table

型号 Model	额定功率(W) Rated power	重量(kg) Weight
BAT81-L250	250	11.2
BAT81-L400	400	12.7
BAT81-L1000	1000	27.0
BAT81-N150	150	12.7
BAT81-N250	250	13.0
BAT81-N400	400	13.3
BAT81-N1000	1000	30.0

- ◆ 本灯具出厂时不配光源，由用户自配，建议配置飞利浦、欧司朗、亚明品牌，金卤灯250W、400W需配置欧标光源；
- ◆ 1000W灯具出厂时均配防爆镇流器和光源，镇流器常规配置为不锈钢外壳；
- ◆ 灯具出厂时已配DQM-I M25×1.5防爆电缆夹紧密接头(工程塑料)，如有特殊要求，请参照P3/169~172页选型。
- ◆ The light source will be supplied by user, Philips, Osram, Yamin brand are recommended; metal halide lamp 250W, 400W are only suitable for light source compliance with European standard;
- ◆ 1000W light fittings are supplied with Ex ballast and light source, the ballast enclosure is usually of stainless steel.
- ◆ The lamp is with DQM-I M25×1.5 explosion-proof cable gland (Engineering-plastics), and if there're any special requirements, please select according to page P3/169~172.

BAT86 系列防爆泛光灯(IIC)

BAT86 Series Explosion-proof Floodlight

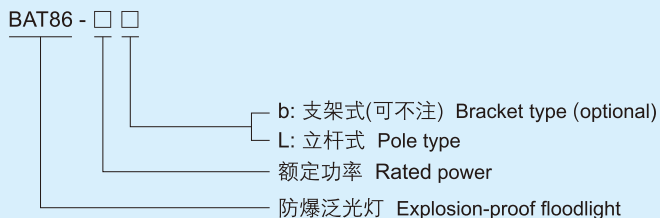


2

应用场所 Application

- ◆ 广泛应用于海洋工程各类作业平台、各类化学品、天然气运输船、危险品码头等危险区域作远距离泛光照明之用；
- ◆ 可在潮湿、振动、腐蚀等恶劣环境中可靠工作；
- ◆ 适用于爆炸性危险环境1区、2区、20区、21区、22区等场所。
- ◆ Widely used for floodlighting on platforms, various types of chemical and natural gas carriers, terminals, dangerous goods docks, etc.;
- ◆ Can reliably work in severe environment where is easily affected by moisture, vibration, or corrosion;
- ◆ Explosive hazardous atmosphere zone 1, zone 2, zone 20, zone 21, zone 22.

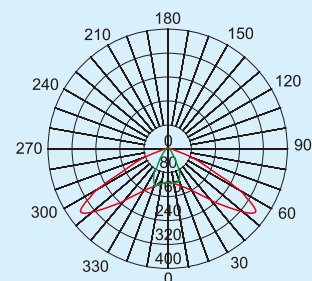
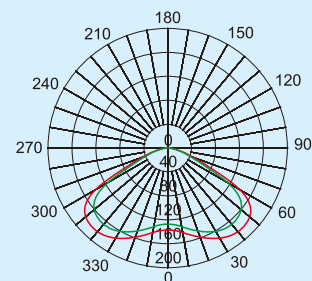
型号含义 Catalogue Number Logic



配光性能 Photometric data

cd/1000lm

— c 0 / 180
— c 90 / 270



Zones 1&2 ; 20&21&22

产品特性

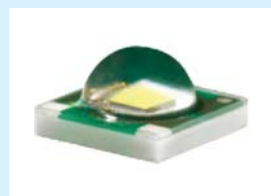
- ◆ 海工专用铝合金压铸壳体，表面高压静电喷塑；
 - ◆ 抗4J高能量冲击的钢化玻璃；
 - ◆ 光源腔、电源腔分离式结构，有效保证光源腔的热量不会传导到电源腔；
 - ◆ 体盖结合为迷宫式结构，现浇发泡密封条，连续无接口，粘贴牢固、防护等级高；
 - ◆ 专业光学软件设计的二次配光系统，光束分配合理，照度均匀，反射效率、利用效率高；
 - ◆ 恒流恒压驱动电源，宽电压输入，恒功率输出， $\cos\phi \geq 0.95$ 。
- ◆ Enclosure is of maritime special aluminum alloy, powder coated surface;
 - ◆ Toughened glass, stands 4J impact;
 - ◆ Light source cavity and power source cavity are separated to ensure the heat in light source cavity will not be transferred to the power source cavity.
 - ◆ The joint between lamp body and cover is of labyrinth structure, foaming sealing strip without seam, firmly pasted, of high protection degree.
 - ◆ Secondary light distribution system designed by professional optical design software, with reasonable light distribution, uniform illumination, high reflectivity, high utilization
 - ◆ Constant current constant voltage drive power, wide voltage input, constant power output, $\cos\phi \geq 0.95$.



- ◆ 专利鳍片及空气对流散热结构设计
- ◆ Fin-shaped dissipation structure, good for air flow.



- ◆ 独特的调节盘调节照射角度
- ◆ Special adjusting panel, the lighting angle can be adjusted.



- ◆ 配置多颗国际品牌LED模块，单向发光，光线均匀柔和，显色性高，寿命长
- ◆ Several international known LED modules, with one-way light, uniform and soft, of high color rendering, long service life.

选配表 Selection table

型号 Model	额定功率(W) Rated power	重量(kg) Weight	型号 Model	额定功率(W) Rated power	重量(kg) Weight
BAT86-50b	50	7.2	BAT86-50L	50	7.2
BAT86-70b	70	7.2	BAT86-70L	70	7.2
BAT86-100b	100	7.5	BAT86-100L	100	7.5
BAT86-120b	120	7.5	BAT86-120L	120	7.5
BAT86-150b	150	12.5	BAT86-150L	150	12.5
BAT86-180b	180	12.5	BAT86-180L	180	12.5
BAT86-200b	200	12.5	BAT86-200L	200	12.5

- ◆ 本灯具出厂时已配光源；
- ◆ 如需其他安装方式，订货时请注明；
- ◆ 灯具出厂时配防爆堵头，若用户需要防爆电缆夹紧固密封接头，请参照P3/169~172页选型。
- ◆ The lamp is supplied with light source
- ◆ If other mounting types required, please specify when ordering
- ◆ The light fitting is supplied with Ex plug, if Ex cable gland is needed, please select according page P3/169~172.

BAT86 系列防爆泛光灯(IIC)

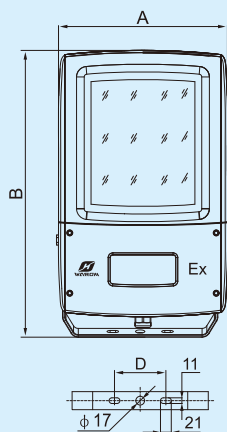
BAT86 Series Explosion-proof Floodlight

技术参数 Technical parameters

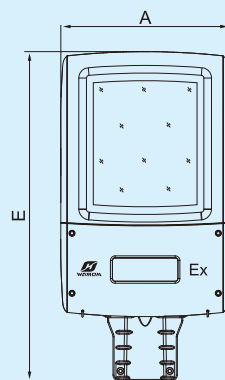
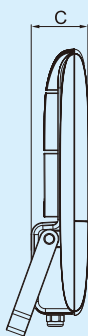
◆ 防爆标志 Ex-Mark	Exdeq II CT5 Gb / DIP A20 TA T5
◆ 执行标准 Compliance	IEC60079 EN60079 GB3836 GB12476 CCS入级规范 (CCS standard)
◆ 额定电压 Rated voltage	220V / 230V AC 50Hz/60Hz
◆ 温度范围 Temperature range	-25°C~+55°C
◆ 额定功率 Rated power 光源类型 Light source 灯具功率 Power of lamp	LED 50W 70W 100W 120W 150W 180W 200W
◆ 防护等级 Degree of protection	IP66 *IP67
◆ 防腐等级 Corrosion-proof	WF2
◆ 进线规格 Cable entry	2×M25×1.5
◆ 接线端子 Terminal	3×1.5~2.5mm ²

2

外形尺寸 Outline dimension



支架式
bracket type



立杆式
pole type

壳体类型 Enclosure	A	B	C	D	壳体类型 Enclosure	A	C	E
120W	310	520	105	100	120W	310	105	603
200W	400	665	105	150	200W	400	105	730